

LIGHTNING ROD KIT KIT KDA01ALU

LIGHTNING ROD TIP TG01

- Aluminum lightning rod tip
- Created to protect structures in places of high incidence of rays and moderate-high risk level, providing a protection diameter of 160 meters.

TG 100K ELECTRODE

- Grounding electrode model TG 100K. 100A Capacity.
 - Made of highly conductive electrolytic copper.
 - Designed in a tubular delta shape.
 - They do not require preventive maintenance.
- Includes LCR low-frequency filtration device mounted on the same frame with a 1/2-inch connection terminal.

COUPLER TGC01

- Rigid frame cabinet with removable plate, polyurethane seal and bolts for ground continuity.
- Capacity of 1500 A.
- Made of carbon steel sheet ASTM-A653 (Plate) ASTM-SAE. Carbon Steel Sheet ASTM-A1011, and SAE 1008 (Cabinet) / NEMA Level.
- Total Ground system device that ensures electrical continuity, and the ability to conduct current. Its function is to direct current discharges towards the path of least impedance.



20 year warranty.

Warranty valid, as long as all kit components are installed according to the Total Ground system.



The images are for illustrative purposes only and are subject to change.

H2OHM

- Compound H2O_hm organic base. Made with hygroscopic moisture coagulating material, which has LAPEM test certificate and EMMA accredited laboratory certificate with values within the CRETIB standard of non-toxicity and no harm to the environment.
- Dimensions: 680 x 400 x 120 mm
- Weight: 11,000 kg approx.

SET OF KDA01ALU

Descripción Kit	Cantidad
Punta TG01	1
Electrodo TG100K	1
Acoplador TGC01	1
H2O _h m (11kg)	1
Brújula y Nivel	1
Mástil de aluminio 50cm	1
Mástil de aluminio 1.20 m	1

We are Total Ground, We are engineering!

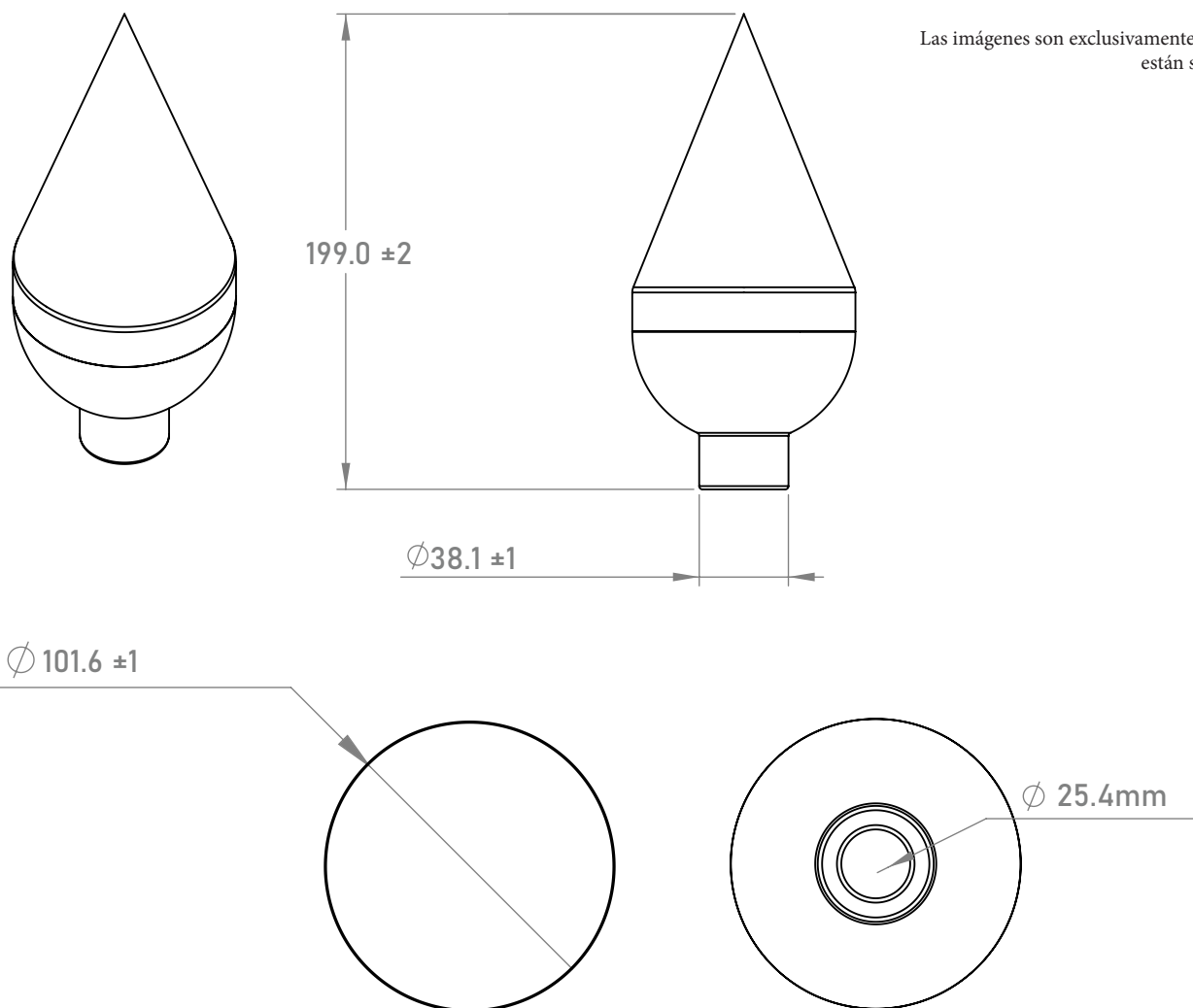
KIT DE PARARRAYOS KIT KDA01ALU

ESPECIFICACIONES TÉCNICAS

PUNTA TG01



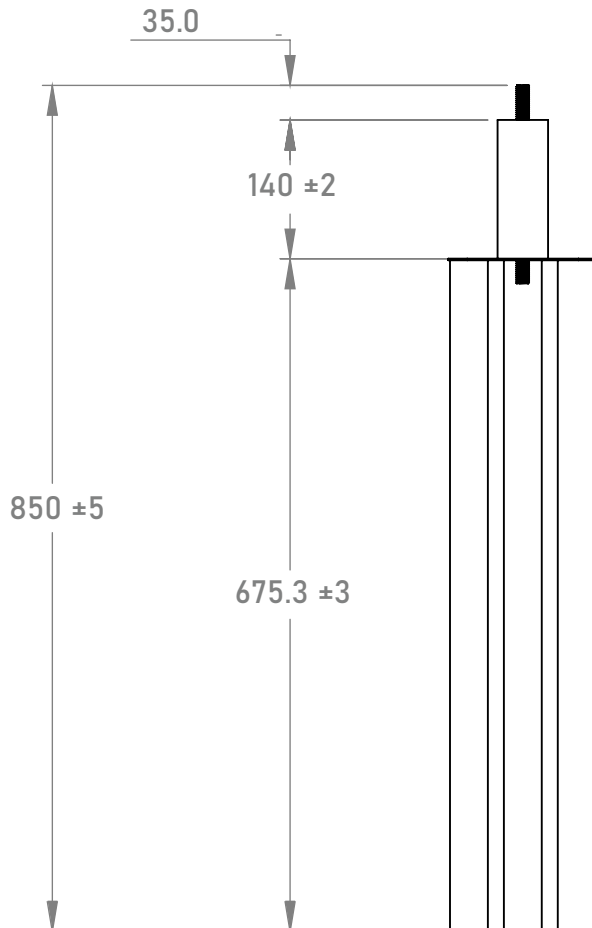
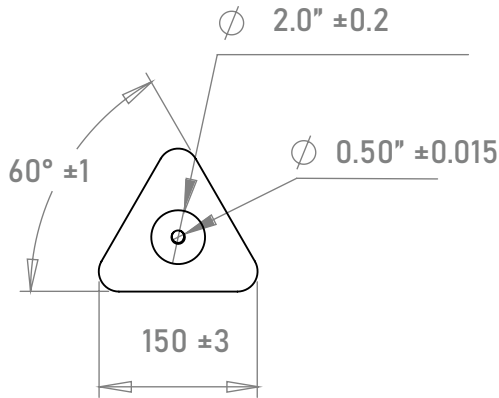
Las imágenes son exclusivamente de carácter ilustrativo y están sujetas a modificaciones.



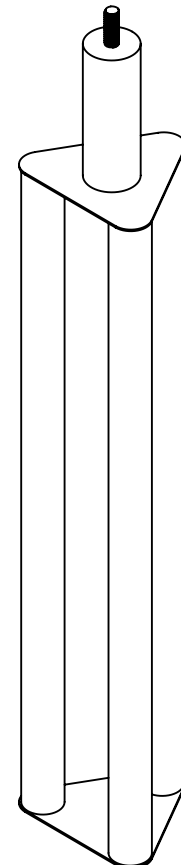
COTAS: mm

¡Somos Total Ground, Somos Ingeniería!

KIT DE PARARRAYOS
KIT KDA01ALU
ESPECIFICACIONES TÉCNICAS
ELECTRODO TG-100K



Las imágenes son exclusivamente de carácter ilustrativo y están sujetas a modificaciones.



COTAS: mm/inch

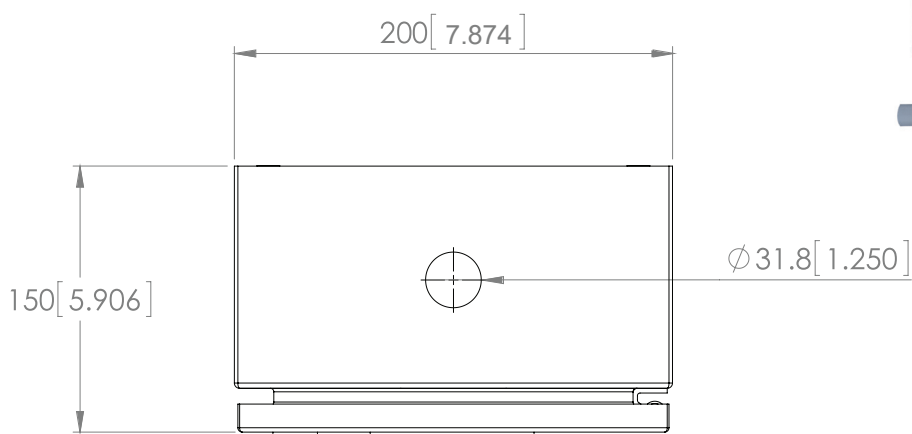
¡Somos Total Ground, Somos Ingeniería!

KIT DE PARARRAYOS

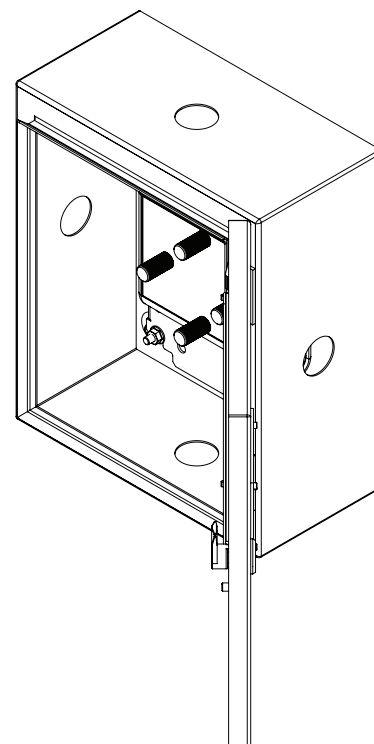
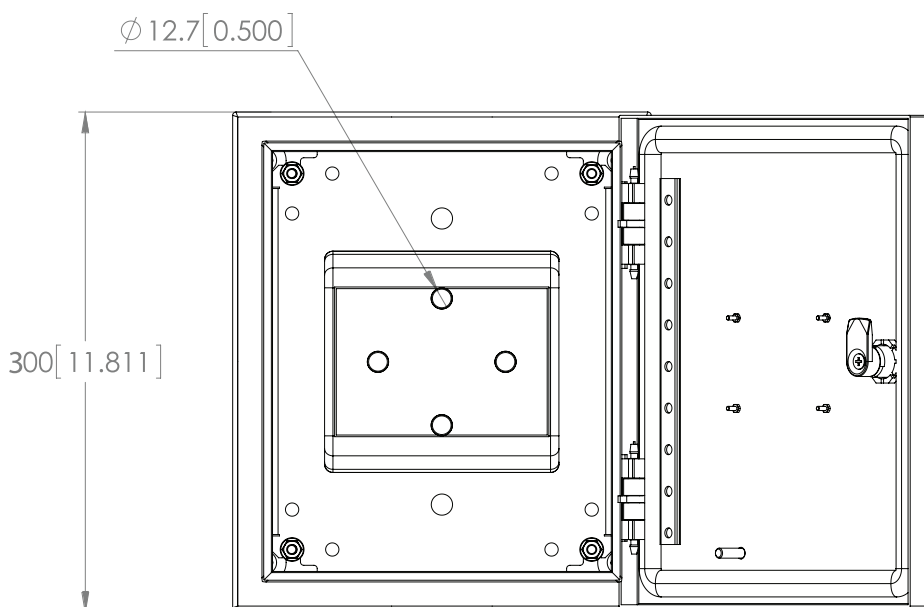
KIT KDA01ALU

ESPECIFICACIONES TÉCNICAS

ACOPLADOR TGC01



Las imágenes son exclusivamente de carácter ilustrativo y están sujetas a modificaciones.



COTAS: mm/inch

¡Somos Total Ground, Somos Ingeniería!